



济南鼎诺机械有限公司

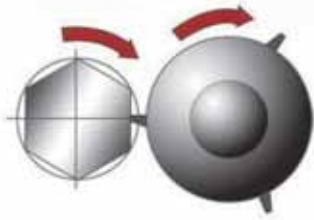
JI NAN DINGNUO MACHINERY CO., LTD

CNC SWISS TYPE AUTOMATIC LATHE

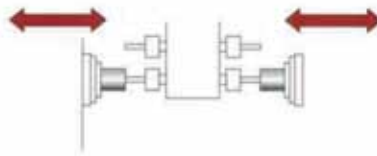


Function Composition

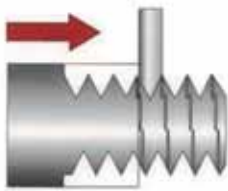
Polygon Turning



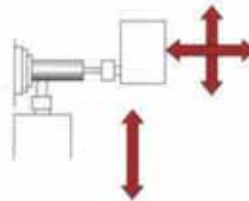
Simultaneous front and back



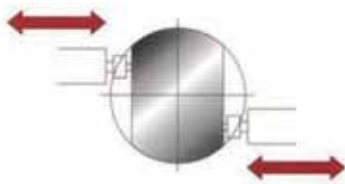
Milling



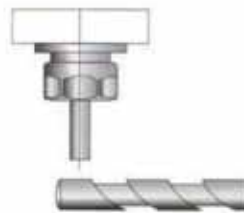
Simultaneous Cross and front



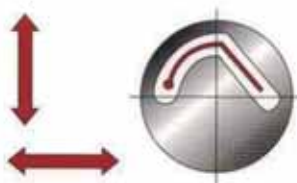
Front,back end off-center



CS contouring



Back end, off center linear



Synchronous control and phase control



Key features

Arrangement of tooling



13fixed tools and9live tools among
22tools can handle complex processing

Fanuc system



Stability Self diagnostician(chucking,ejector,oil cooling,cut,tool
breakdown)

Front end tool



5fixed tools in front end tool,4live tools in cross drill,6fixed
tools in bite tool

Back-end fixed tool



1fixed tool and 3live tools

Toggle system



Lt is possible to maintain continuous process without
toggle's damage

Off-center tool



1 fixed tool and2live tools

Machine Advantages

The machine tool in our company contains the following advantages

- Structure that can be installed with special tools;
- Equipped with Harding or Tsugami chucks;
- Reasonably arranged distance between machining tool can improve producing efficiency;
- The increased travel makes production capacity more diversified;
- Proportion symmetrical structure can maintain high precision and high strength to prevent thermal deformation;
- Anti-collision function;
- Tool service life management system;
- Cut-off detection function;
- Y position polarization function;
- Tool feed speed adjustment function;
- Motor load detection;
- Hand wheel backtracking function;
- Multiple standard configuration and optional configuration can strengthen the flexibility and freedom of machining tool;
- The mobile OP operation panel can promote the flexibility and practicability of machining tool;
- With the capacity of producing high precision miniature parts;
- The minimized outer cover design can precision miniature parts;
- The Three-jaw clamping guide sleeve can improve machining precision;
- FANUC Oi system is adopted in machining tool;
- The specialty standard modular tool can make using and maintenance easier.



Finished Parts by our machine tools

Machine parts



Communication parts



Medical parts



Automobile parts



Communication parts



SM205

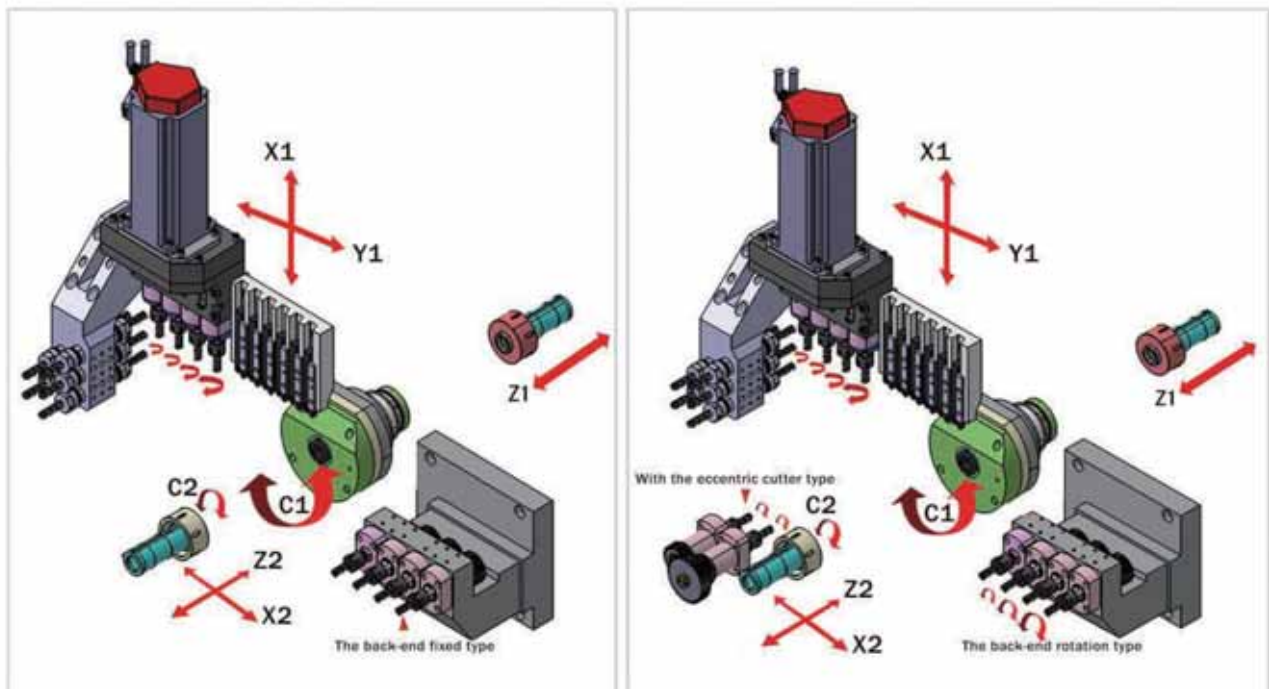


SM205 Characteristics of Machine Tool

SM205 offers outstanding high productivity and efficiency. Flexible and highly versatile machine, superior price/performance ratio, perfect starter model.



Tool arrangement



Technical-parameters

Items		SM205
Machine	Max.RPM	Main12,500/Sub10,000rpm
	Max.Turning Diameter	Φ20mm
	Stroke	260mm
	Additional Positive Brake	1/1,000°
	Rapid Traverse Rate	32m/min
Tooling	O.D Tools	6 EA
	Front Work Tools	5 EA
	Cross Driven Tools	4 EA
	Back Work Tools	4 EA
	Eccentricity Tools	2 EA
NC	Specification	FANUC 0i -TD
	Controllable Axes	7axis/4axis
	LCD	10.4"MONO
Motor	Main Spindle	2.2/3.7kW
	Sub Spindle	1.5/2.2kW
	Cross Drill	0.55/1.1kW
	Back End	1.0kW
	Servo	0.75kW
	Coolant	0.4kW
Others	Coolant Tank Capa.	180L
	Lubrication Tank Capa.	1.8L
	Central Height	1,000mm
	Weight	3600kg
	The size(length X width X height)	2560x1300x1660mm

Standard units	Optional units	Control Specification	
Synchronous rotary guide bush holder unit	Bar feeder	Description	SM205
4 axis cross tools	5 axis cross tools	FANUC Standard Fanuc specification	•
4 axis back end tools	Chip conveyer	All axis rigid tapping	•
2 axis front end tools	Air blow by M code	Hand trace function	•
Air blow on Sub spindle	Cut-off tool breakage detector	Complex control	•
Product parts conveyer	High pressure coolant pump(30 BAR)	Reiteration control	•
Centralized lubrication system	Tap breakage detector	Consecutive screw function	•
Parts ejector & detection unit	Broaching holders	Software panel	•
Safety door lock	Thread whirling rings	English	•
Hand wheel	Back end cross	Bscklash pitch error compensation	•
Automatic sources of electricity circuit breaker	Pick-off unite		
Chip box, standard tools and tool box	Other additional devices		
Rigid tapping on back end tools	Direct jet cooling device		

SX325

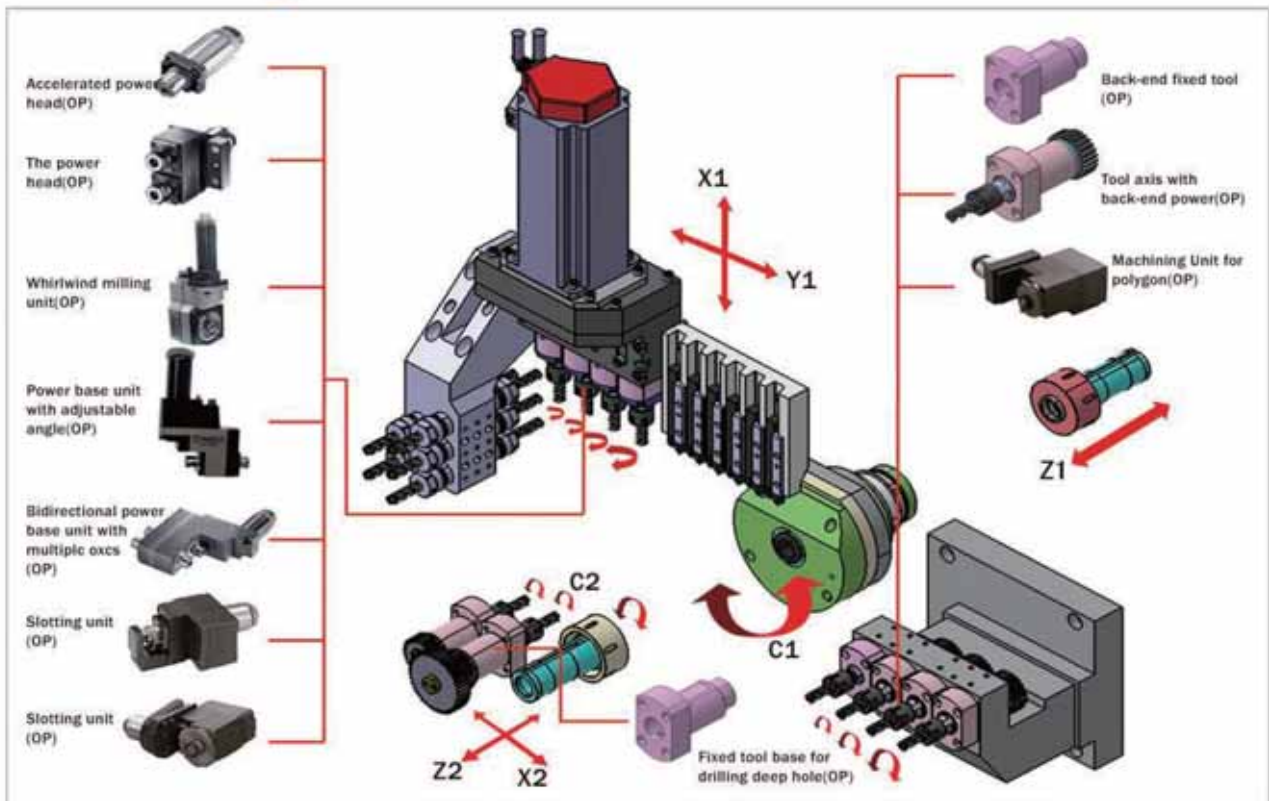


SX325 Characteristics of Machine Tool

Our perfect entry-level model for the highly flexible manufacture of complex parts. Simultaneous machining up to 3 tools for maximum productivity and efficiency



Tool arrangement



Technical-parameters

Items		SX325
Machine	Max. RPM	Main10,000/Sub8,000rpm
	Max. Turning Diameter.	Φ32mm
	Stroke	280mm
	Additional Positive Brake	1/1,000°
	Rapid Traverse Rate	32m/min
Tooling	O.D Tools	6 EA
	Front Work Tools	5 EA
	Cross Driven Tools	4 EA
	Back Work Tools	4 EA
	Eccentricity Tools	3 EA
NC	Specification	FANUC 0i-TD
	Controllable Axes	7axis/4axis
	LCD	10.4"MONO
Motor	Main Spindle	5.5/7.5kW
	Sub Spindle	1.5/2.2kW
	Cross Drill	0.55/1.1kW
	Back End	1.0kW
	Servo	1.0kW
	Coolant	0.9kW
	Lubrication	5W
Others	Coolant Tank Capa.	200L
	Lubrication Tank Capa.	1.8L
	Center Height	1,000mm
	Weight	3,800kg
	The size(length X width X height)	2200x1477x1660mm

Standard units	Optional units
Synchronous rotary guide bush holder unit	Bar feeder
4 axis cross tools	5 axis cross tools
4 axis back end tools	Chip conveyor
3 axis front end tools	Air blow by M code
Air blow on Sub spindle	Cut-off tool breakage detector
Product parts conveyor	High pressure coolant pump
Centralized lubrication system	Tap breakage detector
Parts ejector & detection unit	Broaching holders
Safety door lock	Thread whirling rings
Hand wheel	Back end cross
Automatic sources of electricity circuit breaker	Pick-off unite
Self door lock	Other additional devices
Chip box, standard tools and tool box	Direct jet cooling device
Rigid tapping on back end tools	

Control Specification	
Description	SX325
Standard FANUC specification	•
All axis rigid tapping	•
Hand trace function	•
Complex control	•
Reiteration control	•
Consecutive screw function	•
Drill cycling function	•
Software panel	•
English	•
Cutter compensation	•
Backlash, pitch error compensation	•

SC385



SC385 Characteristics of Machine Tool

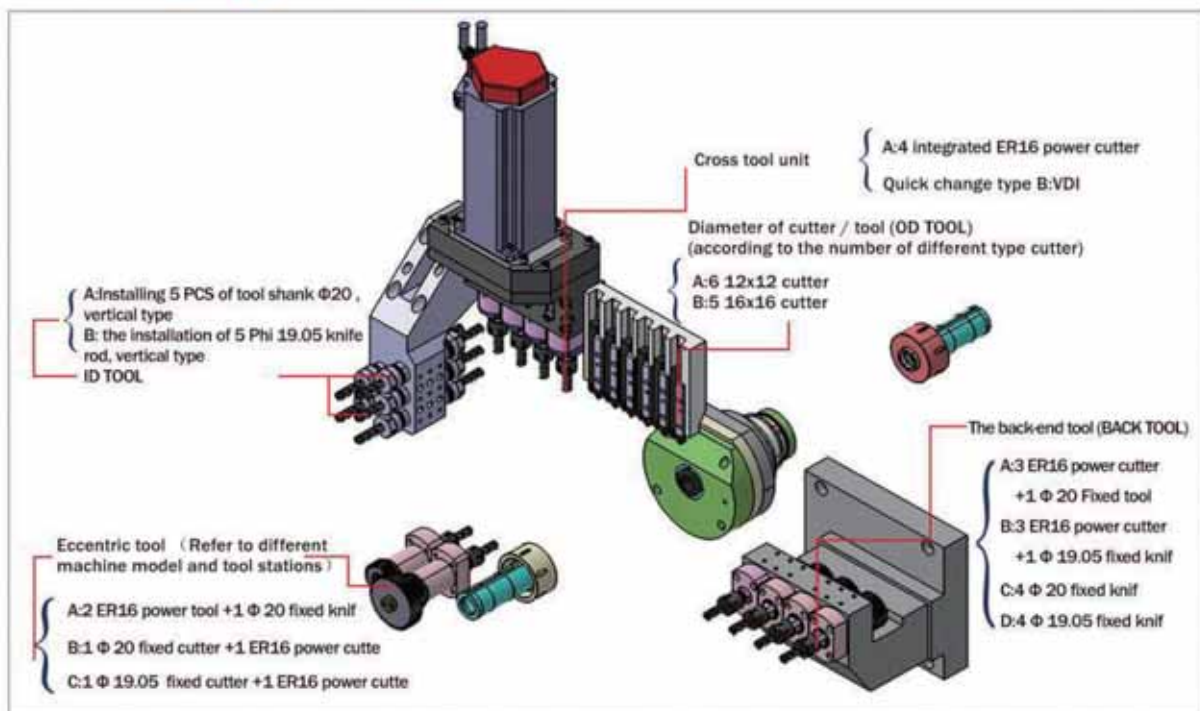
Concentrated competence in the production of high precision micro parts.

The design with renewed tool layout ensures a wide space for easier operation.

The standard specification & various options in addition to the high performance of high precision, high speed machining.



Tool arrangement



Technical-parameters

Items		SC385
Machine	Max. RPM	Main8,000/Sub8,000rpm
	Max. Turning Diameter	Φ38mm
	Stroke	210mm
	Additional Positive Brake	1/1,000°
	Rapid Traverse Rate	32m/min
Tooling	OD Tools	6 EA
	Front Work Tools	5 EA
	Cross Driven Tools	4 EA
	Back Work Tools	4 EA
	Eccentricity Tools	3 EA
NC	Control System	FANUC 0i -TD
	Controllable/Synchro.	7axis /4axis
	LCD	10.4" MONO
Motor	Main Spindle	5.5/7.5kW
	Sub Spindle	1.5/2.2kW
	Cross Drill	0.55/1.1kW
	Back End	1.0kW
	Servo	1.0kW
	Coolant	0.9kW
	Lubrication	5W
Others	Coolant Tank Capa.	200L
	Lubrication Tank Capa.	1.8L
	Central Height	1,000mm
	Weight	4,500kg
	The size(length X width X height)	2800x1475x1850mm

Standard units	Optional units	Control Specification	
Synchronous rotary guide bush holder unit	Bar feeder	Description	SC385
4 axis cross tools	5 axis cross tools	Standard FANUC specification	•
4 axis back end tools	Chip conveyor	All axis rigid tapping	•
3 axis front end tools	Air blow by M code	Hand trace function	•
Air blow on Sub spindle	Cut-off tool breakage detector	Complex control	•
Product parts conveyor	High pressure coolant pump	Reiteration control	•
Centralized lubrication system	Tap breakage detector	Consecutive screw function	•
Parts ejector & detection unit	Broaching holders	Drill cycling function	•
Safety door lock	Thread whirling rings	Software panel	•
Hand wheel	Back end cross	English	•
Automatic sources of electricity circuit breaker	Pick-off unite	Cutter compensation	•
Chip box, standard tools and tool box	Other additional devices	Backlash, pitch error compensation	•
Rigid tapping on back end tools	Direct jet cooling device		



Overseas sales network

**Brazil, India Russia Sweden Malaysia South Africa Finland
Turkey USA Korea Japan Singapore Vietnam Cuba**

N 济南昊圆伟业贸易有限公司
JINAN HAUYUANWEIYE TRADING CO., LTD

电话 (Tel):86-531-85663157 18615182385

网址 :<http://sdjichung.en.alibaba.com>

Skype:yuantaodingnuo

No.1#Lantian jiayuan, yantai Road Huaiyin Distict Jinan,250023 China

传真 (Fax):86-531-87960695

<http://www.dingnuo.com.cn>

E-mail:yuantao58@126.com