

HEAVY DUTY METAL BANDSAW

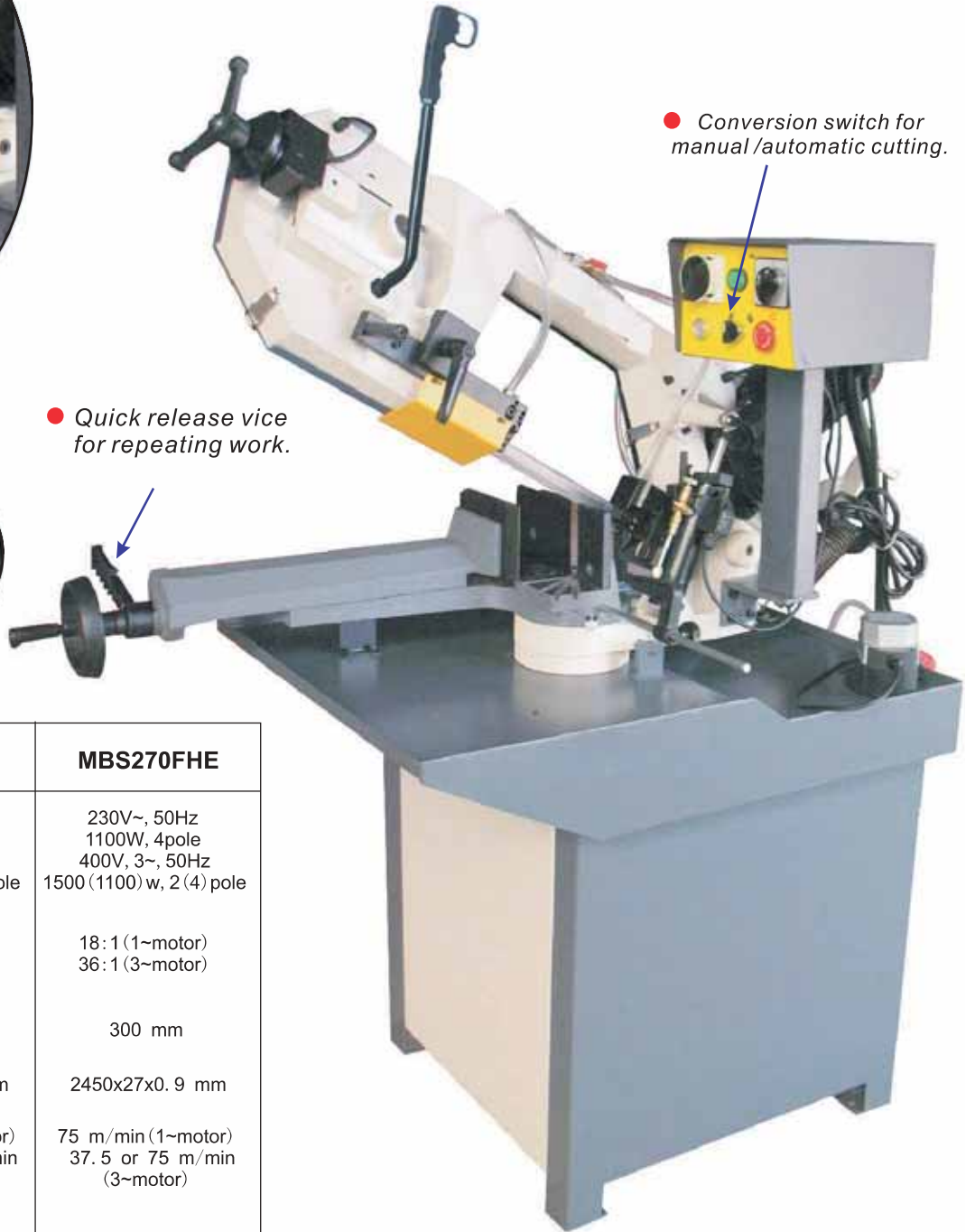
● Hydraulic cylinder for automatic stepless cutting



● Driven by tempered & ground worm screw bronze gear



● Quick release vice for repeating work.



● Conversion switch for manual/automatic cutting.

MODEL	MBS210FHE	MBS270FHE
	230V~, 50Hz 750W, 4pole 400V, 3~, 50Hz 950 (750) w, 2 (4) pole	230V~, 50Hz 1100W, 4pole 400V, 3~, 50Hz 1500 (1100) w, 2 (4) pole
	18:1 (1~motor) 36:1 (3~motor)	18:1 (1~motor) 36:1 (3~motor)
	260 mm	300 mm
	2110x20x0.9 mm	2450x27x0.9 mm
	65 m/min (1~motor) 32.5 or 65 m/min (3~motor)	75 m/min (1~motor) 37.5 or 75 m/min (3~motor)
	0°, 30°, 45°, 60°	0°, 30°, 45°, 60°
	230V~, 75W 400V, 3~, 75W	230V~, 75W 400V, 3~, 75W
	1150x560x950mm ³ 40pcs/20'	1320x760x950mm ³ 24pcs/20'
	152/194 kg	218/290 kg

MBS270FHE / MBS210FHE	0°		30°		45°		60°	
	170	220	150	190	130	160	70	100
	170	200	140	180	110	160	60	100
	170x210	260x140	140x140	200x140	110x110	160x140	60x60	120x100

HEAVY DUTY METAL BANDSAW

● Hydraulic cylinder for automatic stepless cutting.



● Driven by tempered & ground worm screw bronze gear



● Comfortable operation handle.

● Conversion switch for manual /automatic cutting.

● Cabinet stand for storage of working tools and gauges.



● Quick release vice for repeating work.



MODEL	MBS210FH	MBS270FH
	230V~, 50Hz 750W, 4pole 400V, 3~, 50Hz 950 (750) w, 2 (4) pole	230V~, 50Hz 1100W, 4pole 400V, 3~, 50Hz 1500 (1100) w, 2 (4) pole
	18:1 (1~motor) 36:1 (3~motor)	18:1 (1~motor) 36:1 (3~motor)
	260 mm	300 mm
	2110x20x0.9 mm	2450x27x0.9 mm
	65 m/min (1~motor) 32.5 or 65 m/min (3~motor)	75 m/min (1~motor) 37.5 or 75 m/min (3~motor)
	0°, 30°, 45°, 60°	0°, 30°, 45°, 60°
	230V~, 75W 400V, 3~, 75W	230V~, 75W 400V, 3~, 75W
	1150x560x950mm ³ 40pcs/20'	1320x760x950mm ³ 24pcs/20'
	152/194 kg	218/290 kg

	MBS270FH		0°		30°		45°		60°	
MBS210FH										
	170	220	150	190	130	160	70	100		
	170	200	140	180	110	160	60	100		
	170x210	260x140	140x140	200x140	110x110	160x140	60x60	120x100		

HEAVY DUTY METAL BANDSAW

- Saw bow swing from R60° to L45°



- Manual operation/ automatic operation selector



- Hydraulic cylinder for automatic stepless cutting



- Comfortable operation handle.



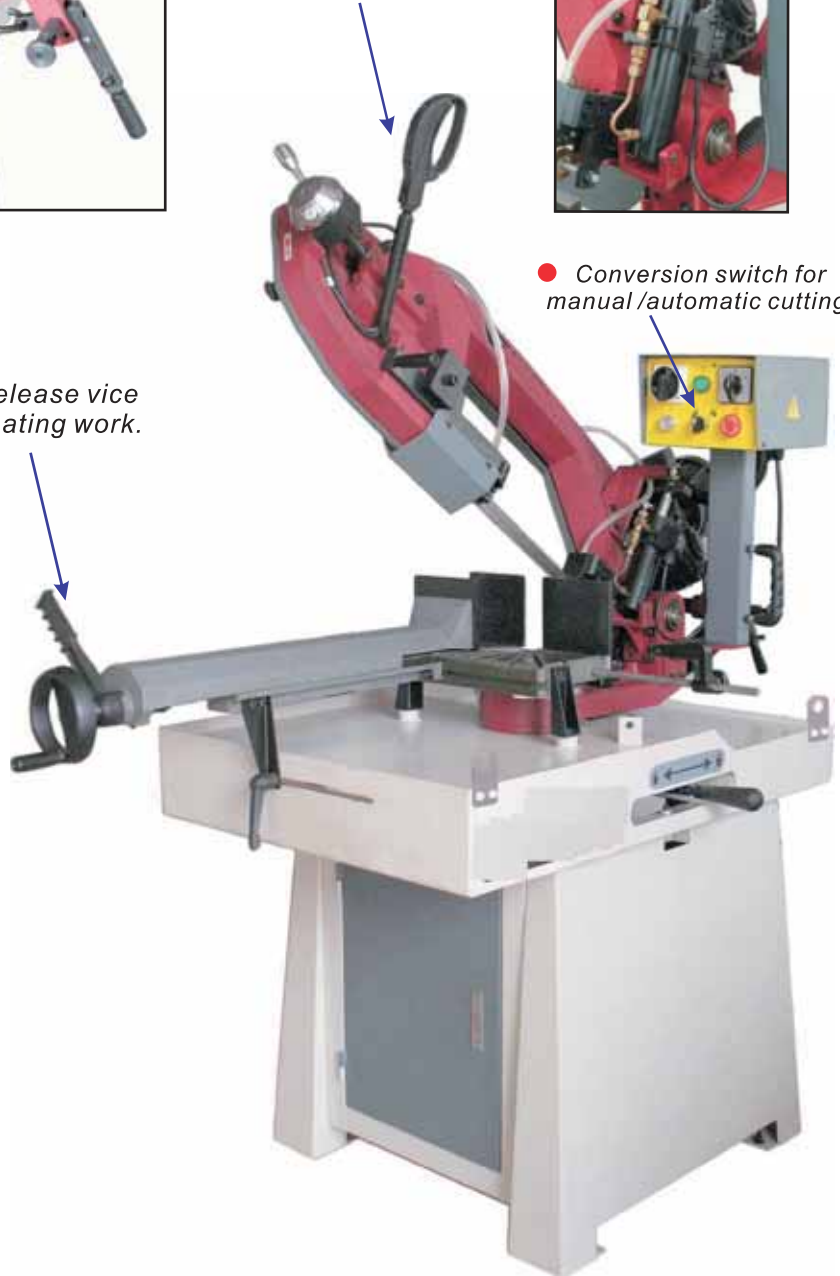
- Driven by tempered & ground worm screw bronze gear


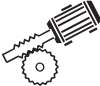
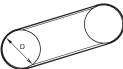


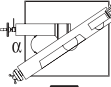








- Quick release vice for repeating work.



- Conversion switch for manual/automatic cutting.



MODEL	MBS320FH
	230V~,50Hz 1500W,4pole 400V,3~,50Hz 1500/1100w,2/4pole
	18:1(1~motor) 36:1(3~motor)
	300 mm
	2680x27x0.9 mm
	70 m/min(1~motor) 35 or 70 m/min (3~motor)
	45°L,30°L,15°L,0° 15°R,30°R,45°R,60°R
	400V,3~,75W
	1600x805x955mm ³ 24pcs/20'
	320/384kg

	0°	45°	60°	45°L
	250	200	125	170
	245	190	125	150
	175X320	175X200		140X180

HEAVY DUTY METAL BANDSAW

● Saw bow swing from R60° to L45°



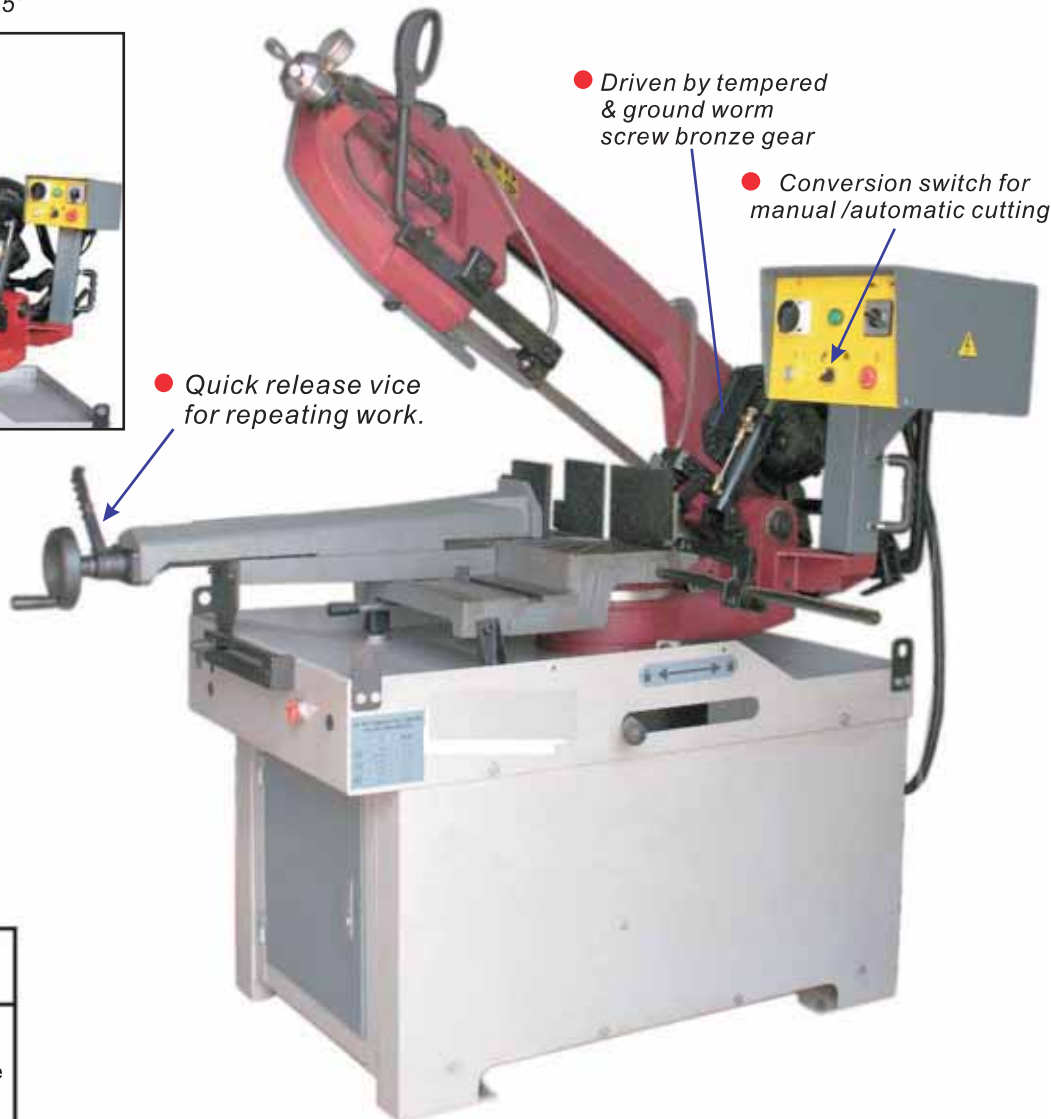
● Hydraulic cylinder for automatic stepless cutting



● Quick release vice for repeating work.

● Driven by tempered & ground worm screw bronze gear



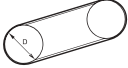


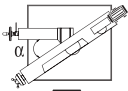

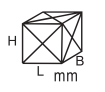

● Conversion switch for manual /automatic cutting.






● Manual operation/ automatic operation selector

● Blade tension indicating meter



MODEL	MBS370FH
	400V,3~,50Hz 1500/1100w,4/8pole
	25:1
	380 mm
	3160x27x0.9 mm
	34 or 68 m/min
	45°L,30°L,15°L,0° 15°R,30°R,45°R,60°R
	400V,3~,25W
	1770x765x1120mm ³ 18pcs/20'
	365/415kg

	0°	45°	60°	45°L
	270	240	160	210
	260	180	100	180
	220X370	160X240		180X180

SEMI-AUTOMATIC HEAVY DUTY METAL BANDSAW

● Hydraulic pump & system



● Vice hydraulic system




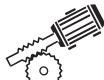
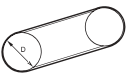

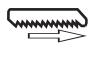
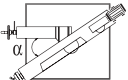

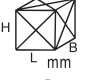

● Control panel & unit






● Saw arm hydraulic system



- Saw bow swing from $R60^\circ$ to $L45^\circ$.
- Driven by tempered & ground worm screw bronze gear.
- Cabinet stand for storage working tools and gauges.

MODEL	MBS320SA
	230V~, 50Hz 1500W, 4pole 400V, 3~, 50Hz 1500/1100w, 2/4pole
	18:1(1~motor) 36:1(3~motor)
	300 mm
	2680x27x0.9 mm
	70 m/min(1~motor) 35 or 70 m/min (3~motor)
	$45^\circ L, 30^\circ L, 15^\circ L, 0^\circ$ $15^\circ R, 30^\circ R, 45^\circ R, 60^\circ R$
	400V, 3~, 75W
	$1770 \times 770 \times 1635 \text{mm}^3$ 9pcs/20' 19pcs/40'
	320/384kg

	0°	45°	60°	$45^\circ L$
	250	200	125	170
	245	190	125	150
	175X320	175X200		140X180

SEMI-AUTOMATIC HEAVY DUTY METAL BANDSAW

● Hydraulic pump & system



● Control panel & unit




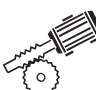
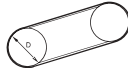


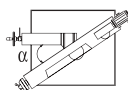

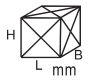

● Vice hydraulic system






● Saw arm hydraulic system



- Saw bow swing from R60° to L45°.
- Driven by tempered & ground worm screw bronze gear.
- Cabinet stand for storage working tools and gauges.

MODEL	MBS370SA
	400V,3~,50Hz 1500/1100w,4/8pole <i>220V,3~,60Hz motor available</i>
	25:1
	380 mm
	3160x27x0.9 mm
	34 or 68 m/min
	45°L,30°L,15°L,0° 15°R,30°R,45°R,60°R
	400V,3~,25W
	1860x765x1625mm ³ 9pcs/20' 18pcs/40'
	365/415kg

	0°	45°	60°	45°L
	270	240	160	210
	260	180	100	180
	220X370	160X240		180X180